

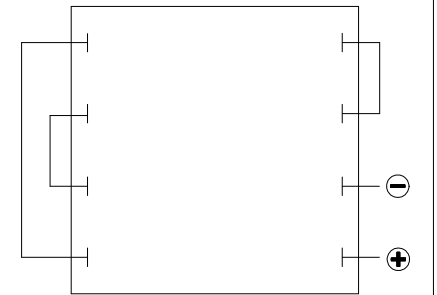
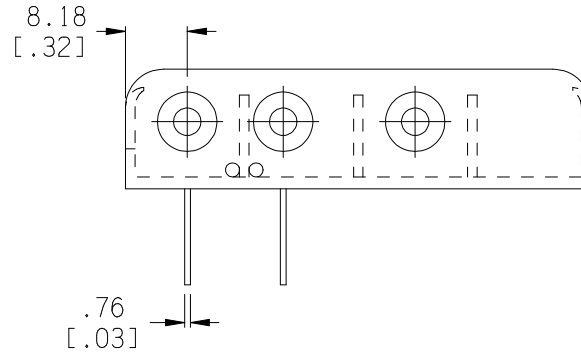
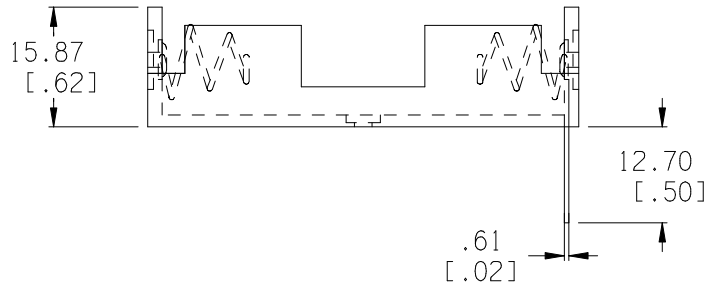
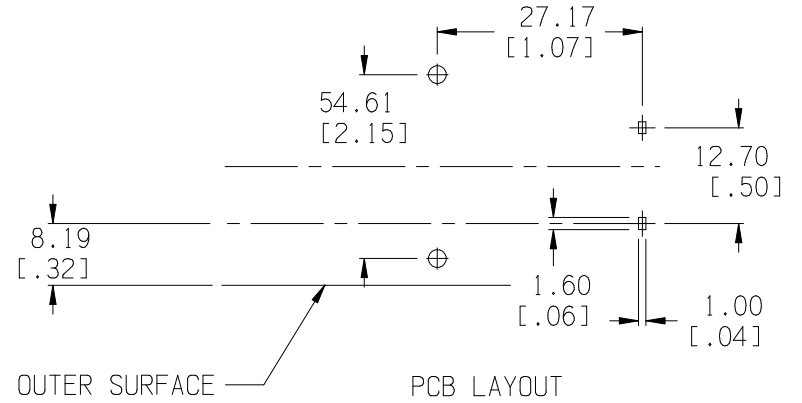
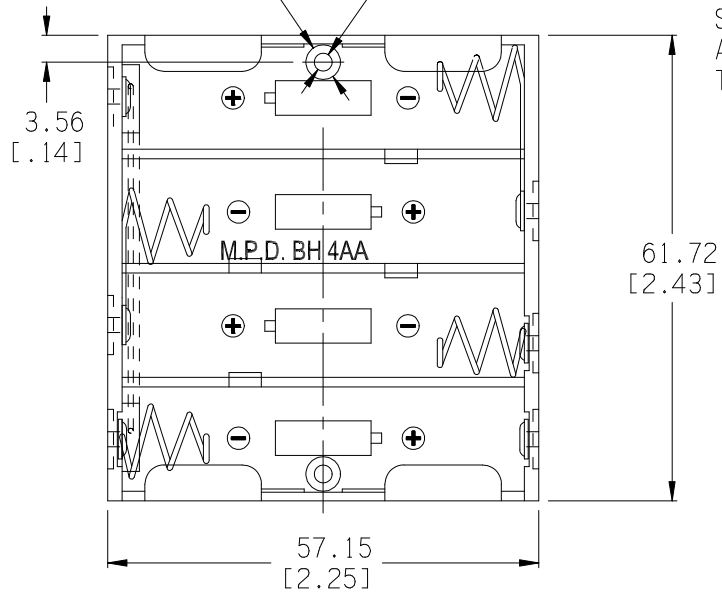
Ø4.57 x 1.01 DEEP
[.180 x 0.040 DEEP]

Ø2.36
[.093]

MOUNTING INSTRUCTION:

USE 2-56 MACHINE SCREWS OR
EYELETS 0.089" OD BY 0.15" FLANGE
STIMPSON GS-3 SERIES OR EQUIVALENT
ALSO ADHESIVES AND DOUBLE SIDED
TAPES WORK WELL.


Date	SYM	REVISION RECORD	AUTH	DR.	CK.
12/26/03	A	Changed Material Specification	T.B.	B.S.	
2/17/07	B	Added "ROHS COMPLIANT"	T.B.	B.S.	



NOTES:

MATERIAL:

HOUSING: IMPACT RESISTANCE NYLON #6, BLACK, UL 94V-0,
MATERIAL FILE #UL E 48285
SPRING: SPRING STEEL, NICKLE PLATED
CONTACTS: SPRING STEEL, NICKLE PLATED
EYELETS: BRASS, NICKLE PLTD.
ROHS COMPLIANT

Tolerance (Inches)	 Memory Protection Devices, Inc. 200 Broad Hollow Road, Farmingdale, New York 11735	
Decimal		Scale
±.5 (.020)		Drawn By B.S.
Fractional	Title	
± .8 (.030)	4AA BATTERY HOLDER WITH PC PINS	
Angular	Date	Drawing Number
± 3°	2/17/07	BH4AA-PC